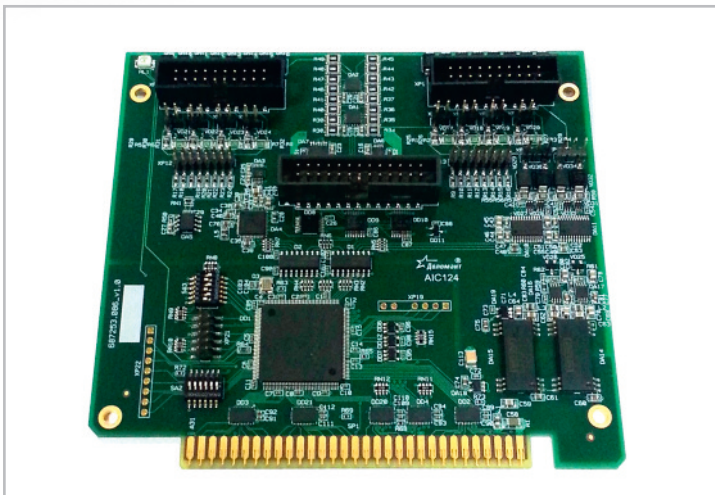


AIC124

Analog I/O Module



Features

- 16x single-wire or 8x differential channels;
- 8x channel digital output port: CMOS levels; Group galvanic isolation;
- Maximum voltage between module channels and ISA bus: 500 V DC;
- MTBF: 180 000 hours;
- Dimensions: 125x123x27 mm;
- Vibration resistance: 5g;
- Single shock resistance: 100g;
- Multiple shock resistance: 50g;
- Operating temperature range: from -40°C to $+85^{\circ}\text{C}$.

Overview

AIC124 Analog I/O Module in MicroPC format is designed for conversion of 16x analog signals of DC voltage or direct current into additional 14x bit code, as well as for generation of output analog signals of DC voltage and direct current.

Technical Specification

Interface

- The amount of analog I/O channels with the group galvanic isolation and maximum conversion speed for N channels 100000 readouts/ (with N) and 14 bit analog-to-digital converter;
- 16x single wire or 8x differential channels;
- Input resistance of analog input channels in voltage measurement mode:
 - 2x mega ohm.
- Installation of input resistance of analog input channels in voltage measurement mode equal to 100 kOhm при помощи by the use of switches;
- Input resistance of analog input channels in current measurement mode:
 - 125 Ohm.
- Number of single-wire analog output channels with the group galvanic isolation:
 - 2.
- Load resistance of analog output channels of DC voltage:
 - 2 kOhm.

- 8x channel digital output port:
 - CMOS levels;
 - Group galvanic isolation;
- Connection of analog switching units of AIMUX-32/AC, MUX-16 type, in order to increase in the number of analog input channels;
- Maximal voltage between module channels and ISA bus:
 - 500 V DC.
- LED indication of I/O queries from CPU module.
- Generation of interrupt signal switching on IRQ3...IRQ7 line along with the possibility of joint use with several modules, installed into the enclosure in MicroPC form-factor.
- Generation of query for data exchange in the Direct Memory Access (DMA) mode using the following lines:
 - DRQ1/DACK1, DRQ3/DACK3.

Mechanical

- MTBF: 180 000 hours;
- Dimensions: 125 x 123 x 27 mm;

- Vibration resistance: 5g;
- Single shock resistance: 100g;
- Multiple shock resistance: 50g.

Environmental

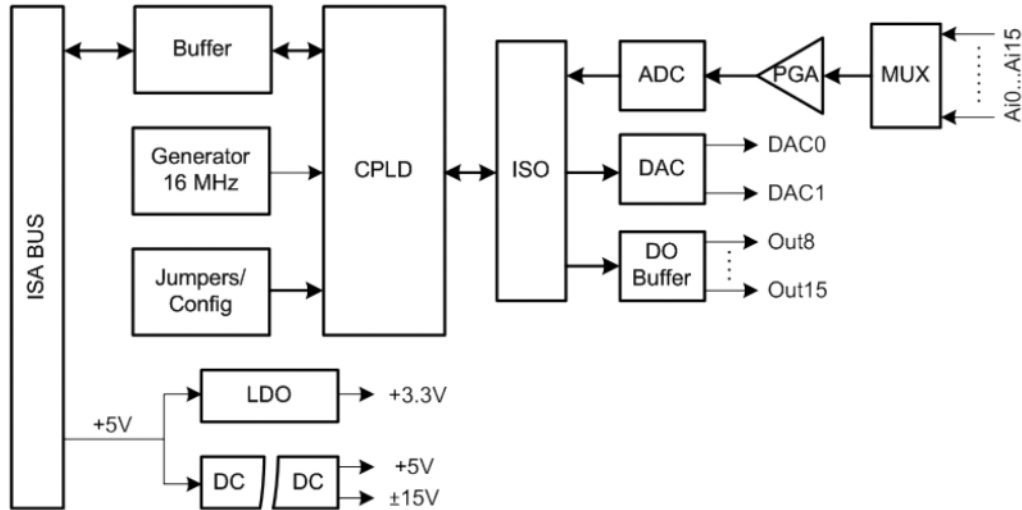
- Operating temperature range: from -40°C to $+85^{\circ}\text{C}$.



AIC124

Analog I/O Module

Block Diagram



Ordering Information

AIC124 Configuration

AIC124 01 \Option

Versions

AIC124 01	16x input channels. 2x output channels (voltage). Amplification factors 1,2,4,8
AIC124 02	16x input channels. 2x output channels (current). Amplification factors 1,2,4,8

Options

\Conformal coating

Delivery checklist:

1. AIC124 Analog I/O Module
2. Package

Corporate Offices

FASTWEL GROUP Co., Ltd
 108 Profsoyuznaya str.
 Moscow, Russia 117437
 Tel: +7 (495) 232-1681
 Fax: +7 (495) 232-1654
 E-mail: info@fastwel.com
 Web: www.fastwel.com

FASTWEL Corporation US
 Fastwel Corporation US
 6108 Avenida Encinas,
 Suite B, Carlsbad,
 CA 92011.
 Phone: 858-488-3663
 E-mail: info@fastwel.com

MICRO



Ver. 1.12.2015

Product specifications are subject to change without notice